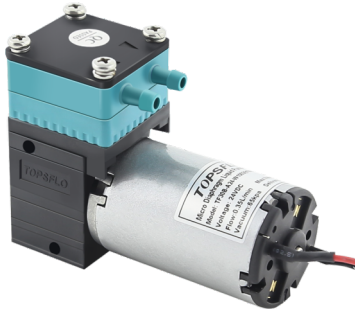


TF30A-A



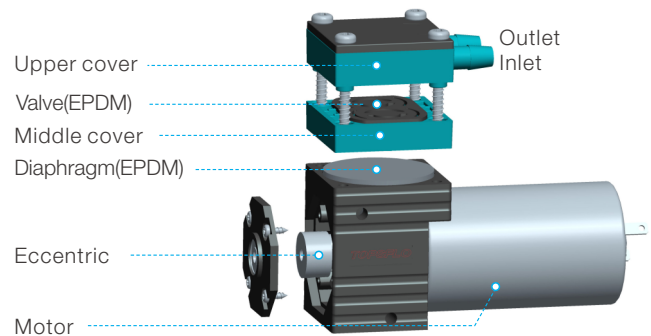
### Typical Applications

- Inkjet printer
- Fireplace
- Water purifier
- Analytical instruments
- Semi-conductors
- Medical equipment
- Lab equipment
- Food & beverage industry
- Cleaning industry

### Features

- Self priming function is available
- Dry running is acceptable
- Food grade type can be customized
- Excellent reliability
- Maintenance free

### Structure



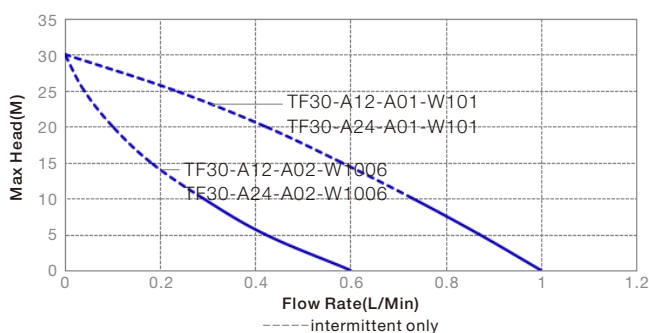
### Specification

Model	Liquid Pump (Item Number)	Rated Volatage (VDC)	No Load Current (A)	Max Load Current (A)	Max Head (M)	Max Flow (L/min)	Motor Type	Lifetime (Hours)
TF30A-A01	TF30A-A01-12-W101	12	0.5	0.8	10	1	Brush Motor	3,000
	TF30A-A01-24-W101	24	0.4	0.8	10	1	Brush Motor	3,000
TF30A-A02	TF30A-A02-12-W1006	12	0.5	0.8	10	0.6	Brush Motor	3,000
	TF30A-A02-24-W1006	24	0.4	0.7	10	0.6	Brush Motor	3,000

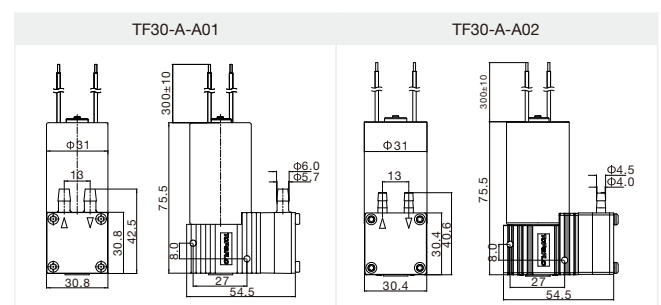
Application Conditions:  
• Medium temperature: 5°C~60°C

• Ambient temperature: -20°C~60°C

### Curve



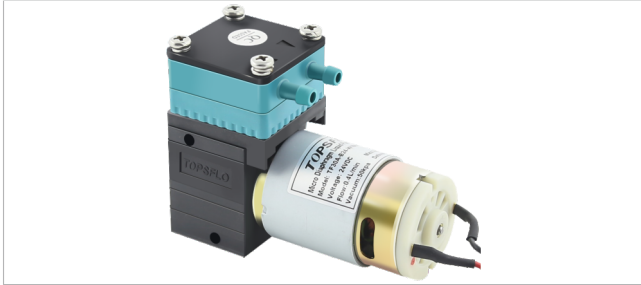
### Dimension (mm)



# TF30A-B

## Micro Diaphragm Pump

TF30A-B



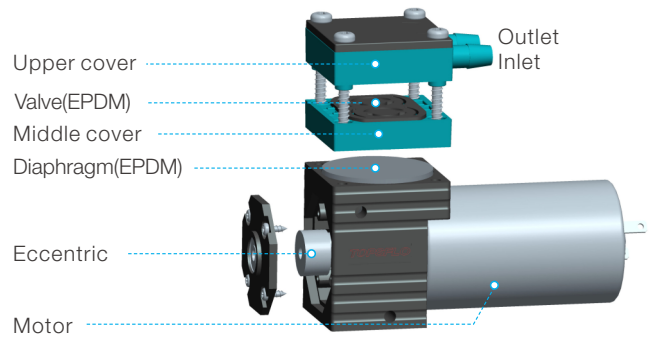
### Typical Applications

- Analytical instruments
- Semi-conductors
- Medical equipment
- Lab equipment
- Food & beverage industry
- Cleaning industry
- Medical water cooling

### Features

- Self priming function is available
- Dry running is acceptable
- Food grade type can be customized

### Structure



### Specification

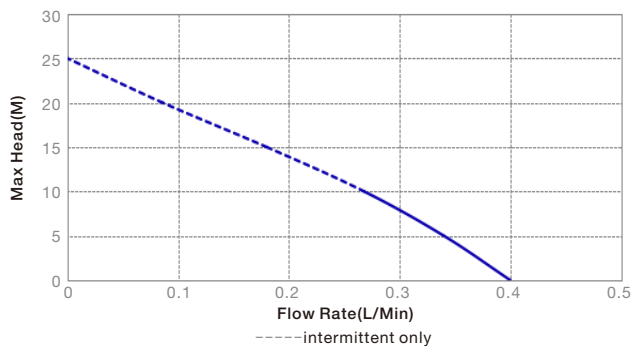
Model	Pressure Pump (Item Number)	Rated Volatage (VDC)	No Load Current (A)	Max Load Current (A)	Max Head (M)	Max Flow (L/min)	Motor Type	Lifetime (Hours)
TF30A-B	TF30A-B12-W1004	12	0.7	1	10	0.4	Brush Motor	1,000
	TF30A-B24-W1004	24	0.3	0.5	10	0.4	Brush Motor	1,000

#### Application Conditions:

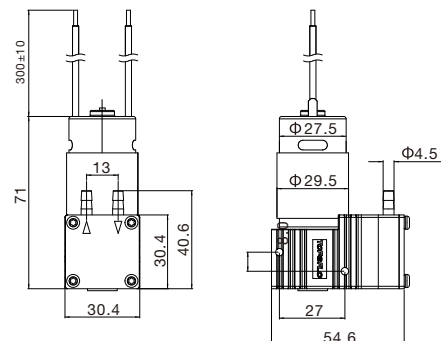
- Medium temperature: 5°C~60°C

- Ambient temperature: -20°C~60°C

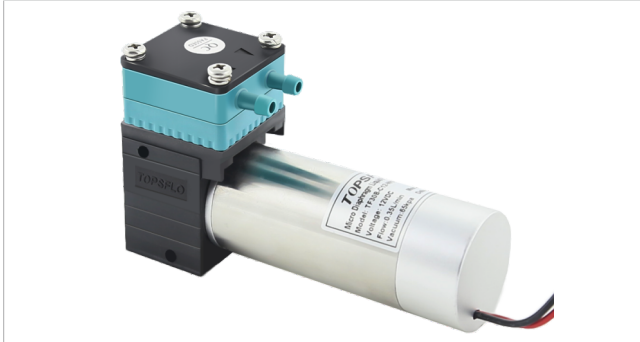
### Curve



### Dimension (mm)



TF30A-C



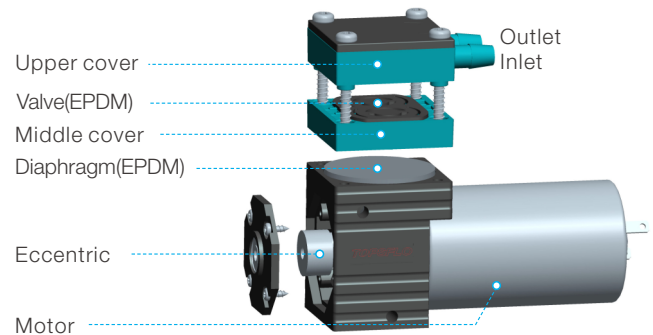
### Typical Applications

- Inkjet printer
- Fireplace
- Water purifier
- Analytical instruments
- Semi-conductors
- Medical equipment
- Lab equipment
- Food & beverage industry
- Cleaning industry

### Features

- Self priming function is available
- Dry running is acceptable
- Food grade type can be customized
- Excellent reliability
- Maintenance free
- Coreless brushless DC motor
- Inside controller type
- The motor runs low vibration and quieter than brush motor
- Spark free
- Durable ideal lifetime 15,000 hours.

### Structure



### Specification

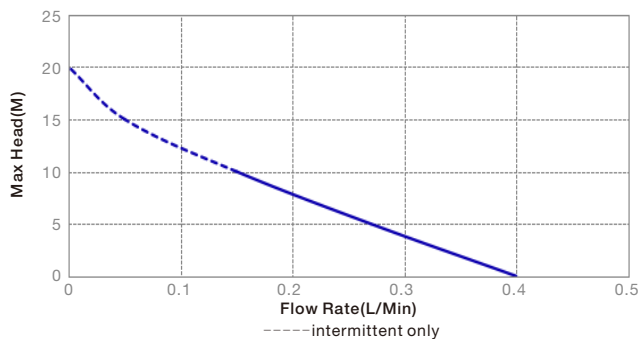
Model	Pressure Pump (Item Number)	Rated Voltage (VDC)	No Load Current (A)	Max Load Current (A)	Max Head (M)	Max Flow (L/min)	Motor Type	Lifetime (Hours)
TF30A-C	TF30A-C12-W1004	12	0.6	0.8	10	0.4	BLDC	15,000
	TF30A-C24-W1004	24	0.3	0.3	10	0.4	BLDC	15,000

#### Application Conditions:

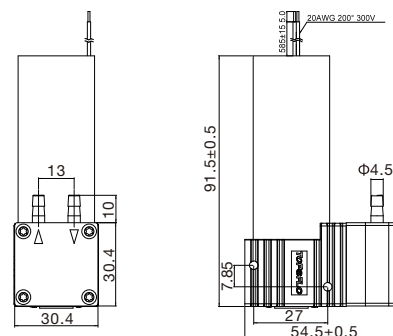
- Medium temperature: 5°C~60°C
- Ambient temperature: -20°C~60°C
- Humidity: 60%RH

- Customization: • 5V (blue) speed control • FG (yellow) signal wire

### Curve



### Dimension (mm)



# TF30A-D

## Micro Diaphragm Pump

TF30A-D



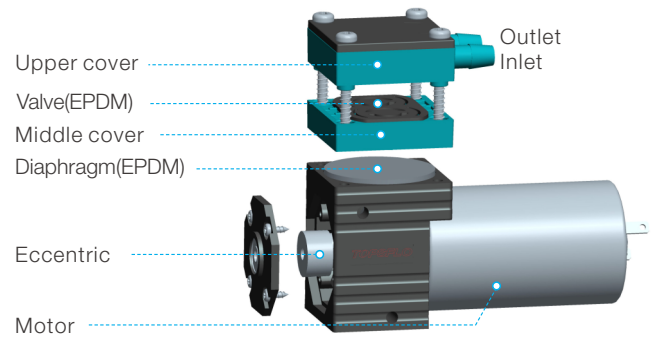
### Typical Applications

- Inkjet printer
- Fireplace
- Water purifier
- Analytical instruments
- Semi-conductors
- Medical equipment
- Lab equipment
- Food & beverage industry
- Cleaning industry

### Features

- Self priming function is available
- Dry running is acceptable
- Food grade type can be customized
- Excellent reliability
- Maintenance free
- Coreless brushless DC motor
- Inside controller type
- The motor runs low vibration and quieter than brush motor
- Spark free
- Durable ideal lifetime 15,000 hours.

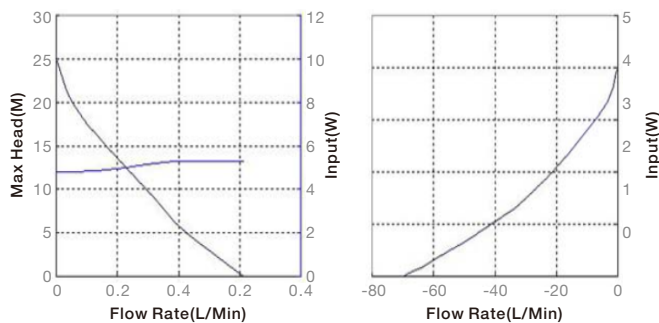
### Structure



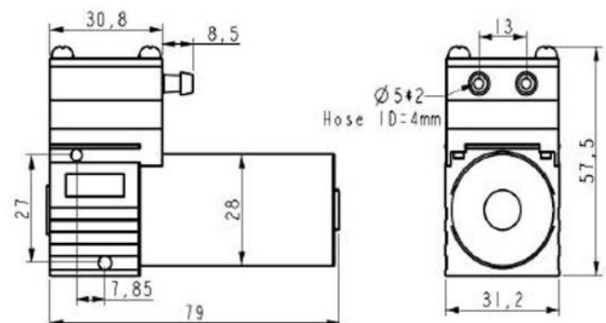
### Specification

Model	Pressure Pump (Item Number)	Vacuum Pump (Item Number)	Rated Voltage (VDC)	No Load Current (A)	Max Head (M)	Max Flow (L/min)	Motor Type	Lifetime (Hours)
TF30A-D	TF30A-D12-W1004	TF30A-D12-V7004	12	0.24	10	0.4	BLDC	15,000
	TF30A-D24-W1004	TF30A-D24-V7004	24	0.15	10	0.4	BLDC	15,000

### Curve



### Dimension (mm)



TF30B-H



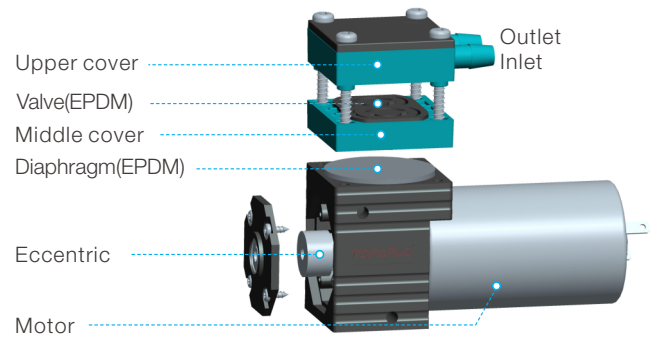
### Typical Applications

- Inkjet printer
- Fireplace
- Water purifier
- Analytical instruments
- Semi-conductors
- Medical equipment
- Lab equipment
- Food & beverage industry
- Cleaning industry

### Features

- Self priming function is available
- Dry running is acceptable
- Food grade type can be customized
- Excellent reliability
- Maintenance free
- Brushless DC motor
- Inside controller type
- The motor runs low vibration and quieter than brush motor
- Spark free
- Durable ideal lifetime 15,000 hours.

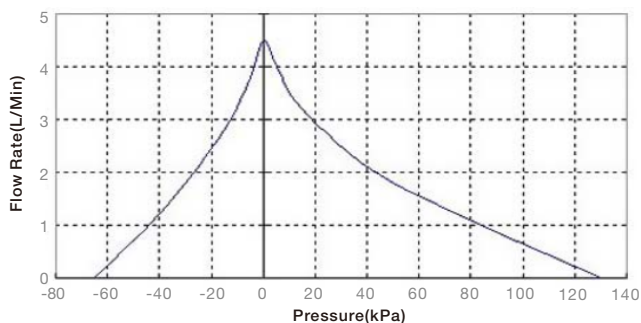
### Structure



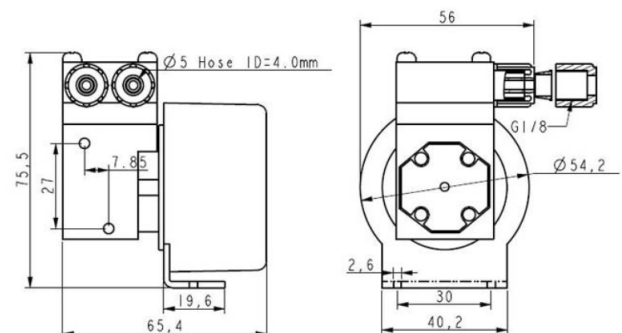
### Specification

Model	Pressure Pump (Item Number)	Vacuum Pump (Item Number)	Rated Voltage (VDC)	No Load Current (A)	Max Pressure (kPa)	Max Vacuum (kPa)	Max Flow (L/min)	Motor Type	Lifetime (Hours)
TF30B-H	TM30B-H12-P13004	TM30B-H12-V6504	12	0.2	130	-65	4.5	BLDC	10,000
	TM30B-H24-P13004	TM30B-H24-V6504	24	0.2	130	-65	4.5	BLDC	10,000

### Curve



### Dimension (mm)



TF51-A



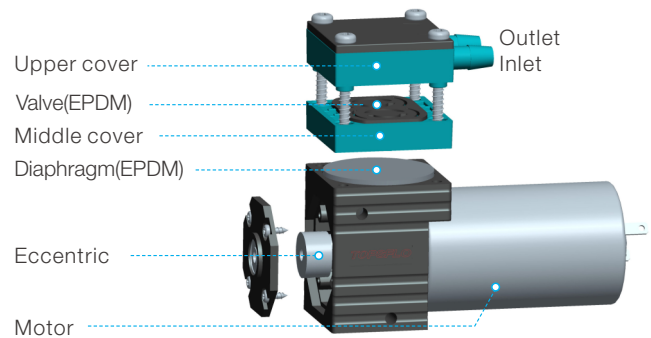
### Typical Applications

- Industrial vacuum applications
- Portable Analytical Instruments
- Medical Diagnostic Equipment
- Environmental/water treatment
- Food/ toxicology
- Laboratory
- Cleaning industry
- Printing
- Fireplace

### Features

- Small and powerful
- Self-priming and excellent for pressure
- Dry running, durable and maintenance free
- Lasts Reliably Longer
- Uncontaminated flow
- Little vibration
- High level of gas tightness
- Extreme chemical resistance
- Optimal solution for your application

### Structure



### Specification

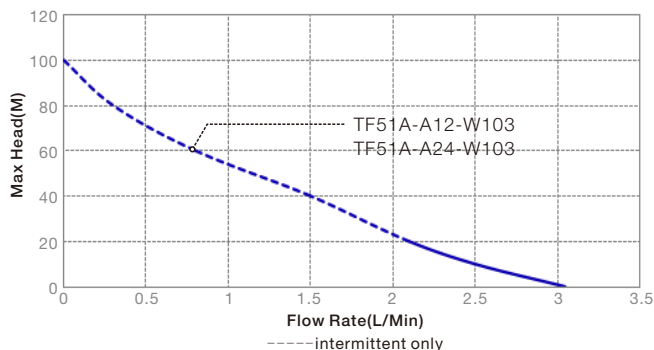
Model	Liquid Pump (Item Number)	Rated Voltage (VDC)	No Load Current (A)	Max Head (M)	Max Vacuum (KPa)	Max Flow (L/min)	Motor Type	Lifetime (Hours)
TF51A-A	TF51A-A6-W103	6	2	10	-40	3	Brush Motor	3,000
	TF51A-A12-W103	12	1	10	-40	3	Brush Motor	3,000
	TF51A-A24-W103	24	0.65	10	-40	3	Brush Motor	3,000

**Application Conditions:**

• Medium temperature: 5°C~60°C

• Ambient temperature: 5°C~70°C

### Curve



### Dimension (mm)

