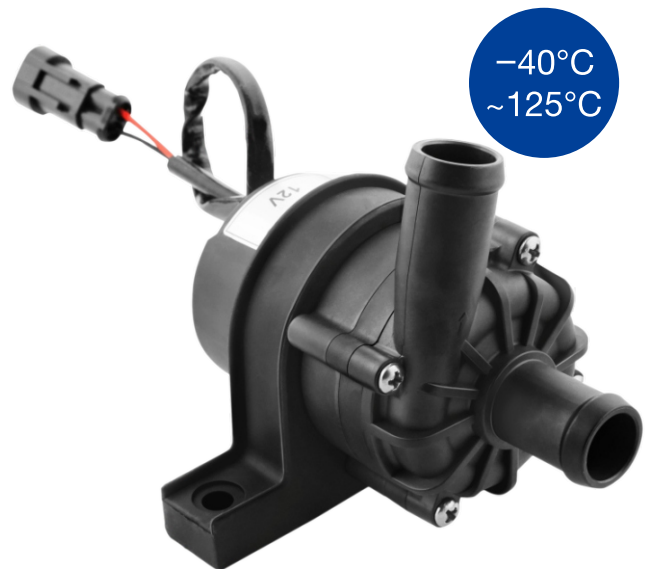


# TA60

## Micro DC Brushless Pump

### Typical Applications

- Car Engine Cooling Circulation
- HVAC Circulation System
- Heating System (Car Auxiliary Heaters, Parking Heaters)
- Electric Vehicles Inverter Cooling System
- Normal Hot Water Circulation
- Liquid Transfer
- Electric Vehicles Battery Cooling System



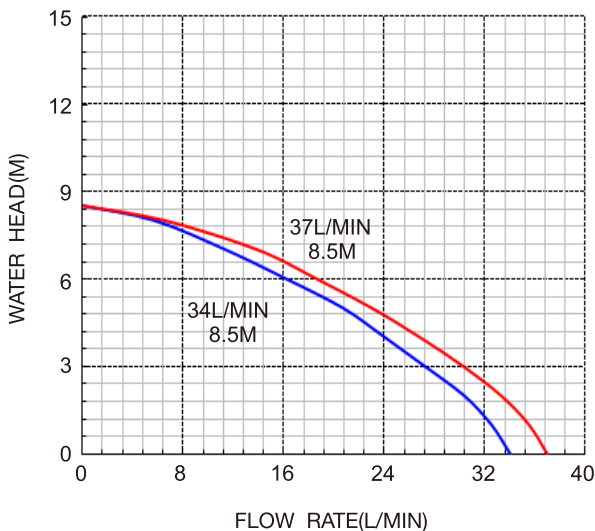
### Specification

Model	Product Code	Max Flow Rate (L/Min)	Max Water Head (M)	Voltage (VDC)	Current (A)	Power (W)
TA60	TA60-R12-3409	34	8.5	12	4.5	54
	TA60-R24-3709	37	8.5	24	2.5	60

Note: 1. Temperature range -40°C~125°C 2. Customization: /FG (RPM) signal wire; /PWM speed control

### Curve & Dimension

TA60 Performance



Dimension (mm)

